

# HOISTING MOTORS

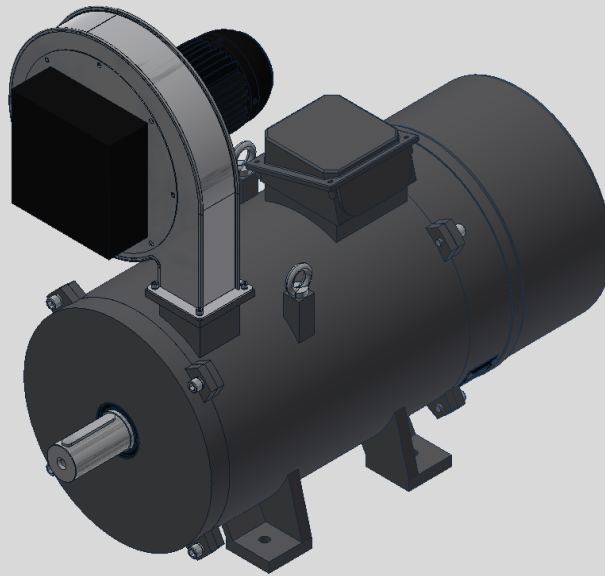
## CRANE APPLICATION



enerkoi

## HOISTING VARIABLE SPEED MOTORS

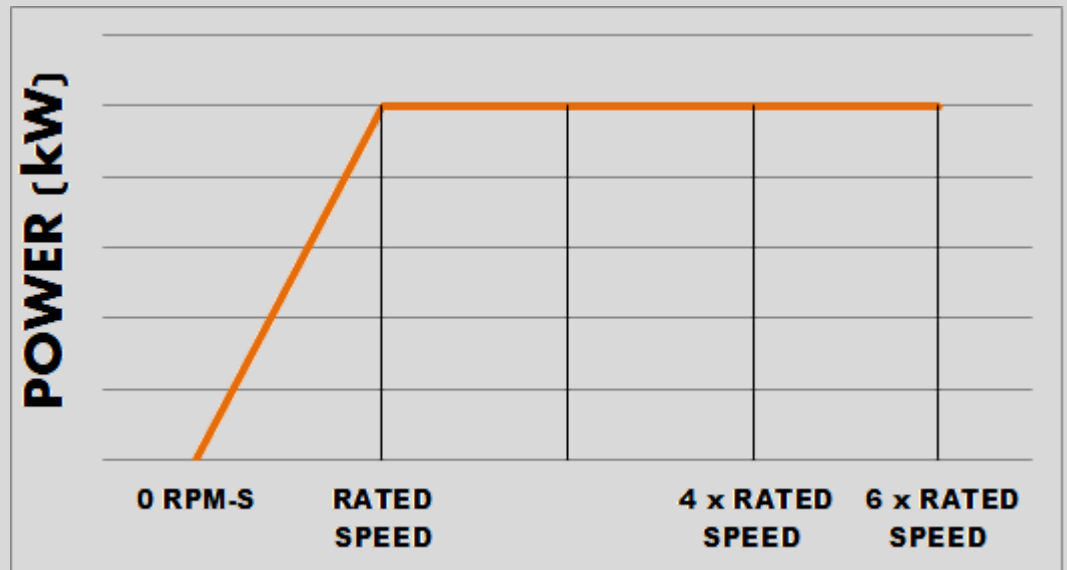
ENERKOI has developed a wide family of high performance hoisting motors for tower cranes. These high torque motors are designed specially for the customer needs, in other words, they are completely customizable. All models can be up-graded with additional components to fit any crane.



<b>GENERAL INFORMATION</b>	
<b>POWER RANGE</b>	From 25 to 200 kW
<b>SIZE</b>	From 180 to 315
<b>POLES</b>	4 / 6
<b>POWER SUPPLY</b>	For frequency converter
<b>RATED FREQUENCY</b>	Customized
<b>IP INDEX</b>	IP23
<b>Customized as request.</b>	

## POWER AT HIGH SPEED

RATED POWER  
UP TO 6 TIMES  
RATED SPEED!



## BRAKES

- DC brakes
- Up to 5.100Nm
- Optional hand release
- Microswitch open/closed
- Microswitch wear disk brake

## ACCESORIES

- Thermal protection
- Anti condensation heaters
- Encoder
- Customized shaft and flange
- Forced ventilation



ENERKOI BASQUE ENERGY S.L.  
C/Uzturre 1, Oficina 203, Pol. Ind. Apatta-Erreka  
20400, IBARRA Spain  
Tlf.: +34 943 544 002, E-Mail: [info@enerkoi.com](mailto:info@enerkoi.com)  
[www.enerkoi.com](http://www.enerkoi.com)